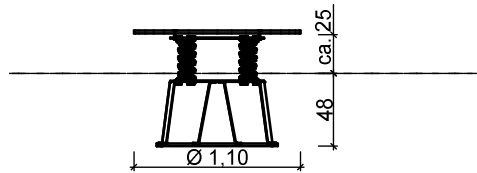
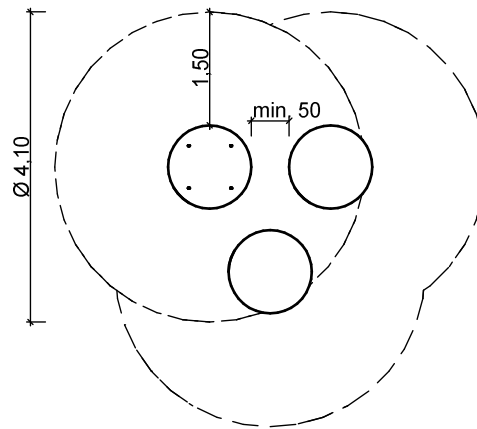


# Bouncing Plate

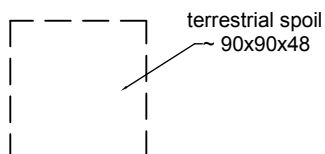
view



topview with  
minimum safety area  
scale 1:100 m,cm

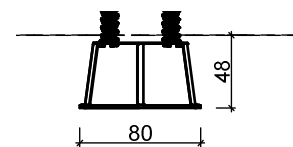


anchorage plan  
check measurements  
on building site




anchorage detail  
-without scale-

ground anchor 11.1.2

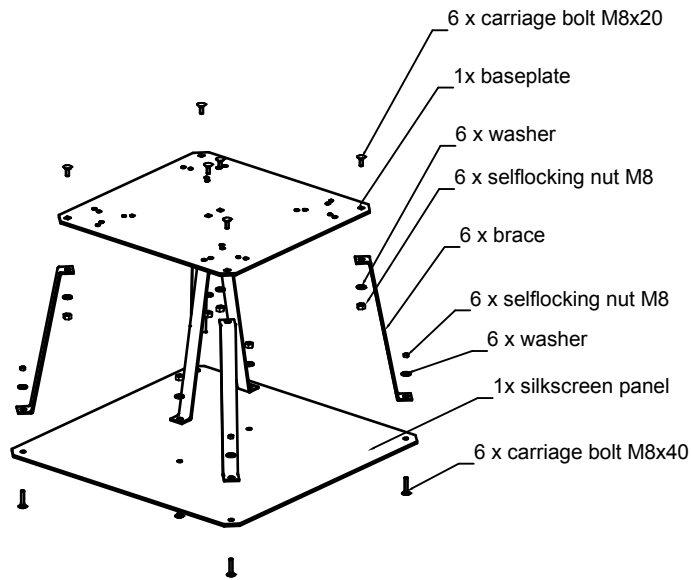


minimum 25 cm well compressed soil  
on the silksreen panel of the ground  
anchor

project:	Bouncing Plate	scale:	A4; 1:50	page:	1/2
address:		date:	03.03.2016		
editor:	V.Liehr	 <p>Master enterprise of woodcarving handicrafts © SIK-Holzgestaltungs GmbH</p>			
article ID:	1.50 - 1.50.12				
project ID:	assembly				

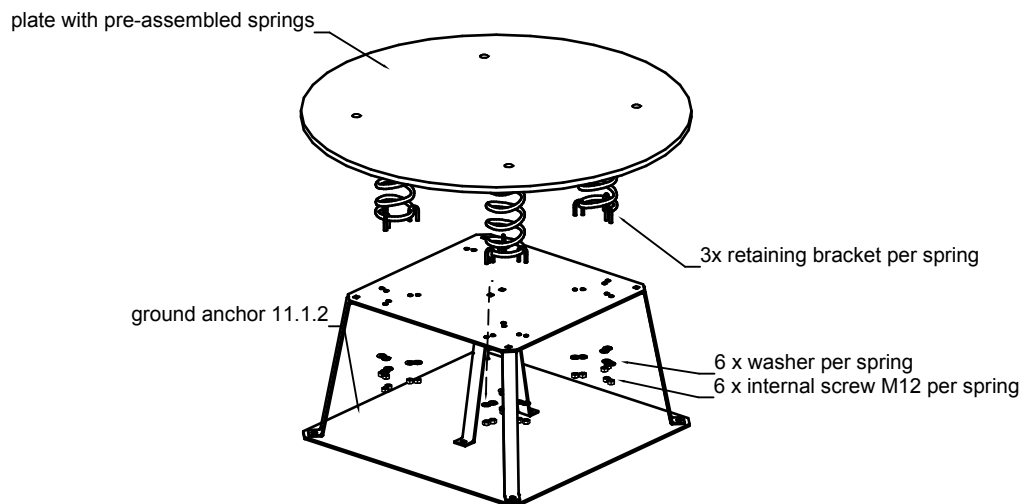
# Bouncing Plate


detail fitting ground anchor 11.1.2



perspective  
-without scale-

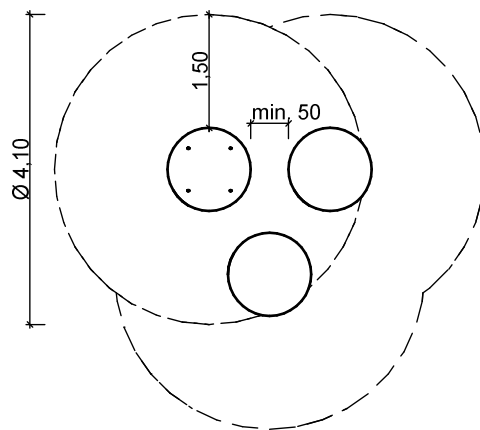
detail bouncing plate



project:	Bouncing Plate	scale:	A4; ----	page:	2/2
address:		date:	03.03.2016		
editor:	V.Liehr	 Master enterprise of woodcarving handicrafts © SIK-Holzgestaltungs GmbH			
article ID:	1.50 - 1.50.12				
project ID:	assembly - detail				

# Bouncing Plate


topview with  
minimum safety area



Height of fall  
up to 40 cm

13,2 m<sup>2</sup> for 1 bouncing plate

for example  
32,7 m<sup>2</sup> for 3 bouncing plates

project:	Bouncing Plate	scale:	A4; 1:100	page:	1/2
address:		date:	03.03.2016		
editor:	V.Liehr	 Master enterprise of woodcarving handicrafts © SIK-Holzgestaltungs GmbH			
article ID:	1.50 - 1.50.12				
project ID:	assembly				